

pail and can catalogue

Rieke Packaging Systems™
A TriMas Company

the **global leader** in **packaging solutions**



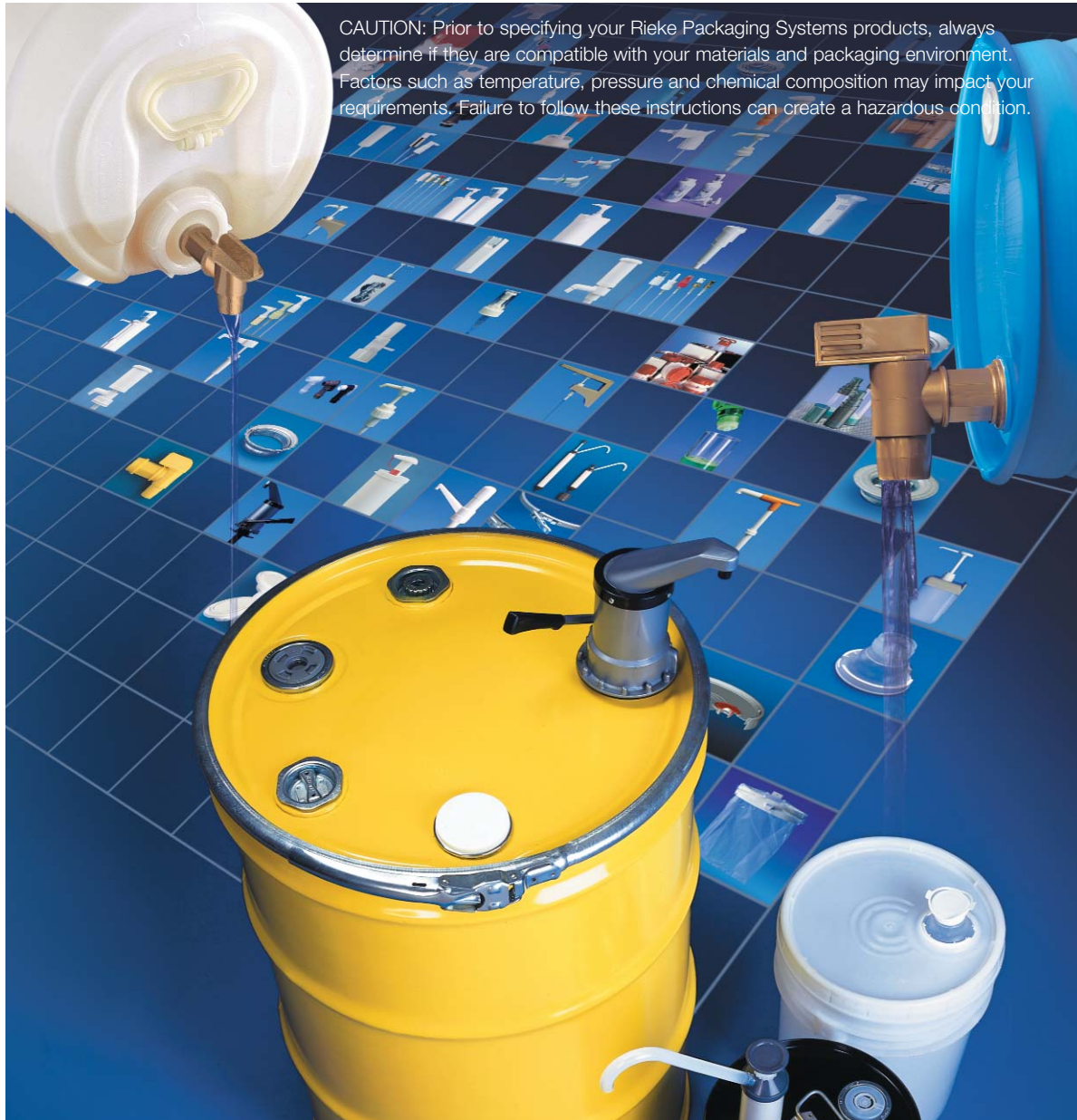
Rieke Packaging Systems is committed to being an innovative, world class manufacturer of closures and dispensing systems for the global market. Our success is measured by customer appraisal of our continuous improvement, service and value manifested in the products we provide.

Contents

The Rieke/Stolz/Pail and Can Closure System	3
Rieke Closures for Metal and Plastic Containers	4
Rieke Standard Pail and Can Closures	
FLEXSPOUT® Closure System	4
Self-Venting FLEXSPOUT Closures	5
All-Plastic FLEXSPOUT Closures	6
Intermediate FLEXSPOUT Closures	7
FLEXSPOUT III	
Poly-Reseal	
Junior FLEXSPOUT Closures	7
Specialty Closures	8
70mm Plastic Screw Caps	9
63mm Plastic Screw Caps	10
Stolz Closures for Metal and Plastic Containers	11
Stolz Closures for Metal Containers	
Closures for 24mm Openings	11
Closures for 32mm Openings	11
Closures for 42mm Openings	12
Closures for 57mm Openings	13
Closures for 100mm Openings	14
Stolz Closures for Plastic Containers	14
Screw Caps and Retractable Spouts	14
Flexible Spouts	15
Rieke/Stolz Vented Pail Closures	15
Micro-Porous Vents	15
Reversible Vents	16
Tools	17
Manual Tools and Wrenches	17
Power Crimping Tools	17
Insertion Tools (for FLEXSPOUT Jr., FLEXSPOUT III and Stolz)	18
LEVER-LOC™ Lever Rings for Industrial Open Head Containers	19
The LEVER-LOC Closure System	19
LEVER-LOC Lever Models	20
Standard Lever Models for Pails and Cans	21
Seals	21
Profiles	22

RIEKE,® VISEGRIP,® FLEXSPOUT,® POLYGRIP,® and POLY-VISEGRIP® are all federally registered trademarks of Rieke Corporation. Rieke Packaging Systems™ and LEVER-LOC™ are trademarks of Rieke Corporation.

The Rieke/Stolz/Pail and Can Closure System



CAUTION: Prior to specifying your Rieke Packaging Systems products, always determine if they are compatible with your materials and packaging environment. Factors such as temperature, pressure and chemical composition may impact your requirements. Failure to follow these instructions can create a hazardous condition.

In 1948, Rieke Packaging Systems introduced a unique product that's still popular today with pail manufacturers and users worldwide. The FLEXSPOUT is a one-piece retractable closure that allows for easy insertion, filling, pouring and stacking. Over time, the Rieke product line has become the source of a wide array of Pail and Can closure solutions, recognized for their reliable performance and convenient child-resistant, tamper evident designs.

Rieke Closures for Metal and Plastic Containers

Rieke Standard Pail and Can Closures

The FLEXSPOUT® Closure System

As easy as it is to use, this retractable plastic directional pour spout offers a reliable seal and a variety of tamper evident features. It affixes to a 2-3/8" (63mm) opening without registry, and is uniquely designed to completely drain the container. Standard for both plastic and metal containers, the FLEXSPOUT meets DOT requirements, as well as the suggested specifications of the EPA and National Agricultural Chemical Association.

FS-10-6-300 UNOPENED



Description

- When closed, the low profile allows for stacking of containers
- The tamper-evident closure cap has a pull tab for fast, easy removal

FS-10-6-300 POPPED OPEN



Description

- 38mm spout screw cap is double-bailed for easy removal
- Cap has an extra ridge to assure a tight seal when recapped
- Spout has a pullout diaphragm for added protection.

FS-10-6-301



Description

- Includes a "STOP" design tamper-evident cap

FS-10-6-624



Description

- Tamper-evident seal that can be imprinted with a company or brand identity for name exposure and anti-counterfeiting.

Note: All models incorporate a chemically resistant polypropylene and/or polyethylene material unless otherwise indicated.

Rieke Closures for Metal and Plastic Containers

Self-Venting FLEXSPOUT Closures

These closures offer all the advantages of the standard FLEXSPOUT with an added built-in venting feature that eliminates surging. The result is an exceptionally smooth pour.

FS-10-8V-300



Description

- One-piece design eliminates spout and vent separation problems
- Patented backup sealing feature assures proper sealing on both metal and plastic containers
- Tamper-evident pull-tab seal
- Spout has pullout diaphragm and resealable screw cap

FS-10-8V-301



Description

- Includes a "STOP" design tamper-evident cap

FS-10-8V-624



Description

- Features a solid white tamper-evident seal that can be imprinted with a company or brand identity for name exposure and anti-counterfeiting.

Rieke Closures for Metal and Plastic Containers

All-Plastic FLEXSPOUT Closures

These FLEXSPOUT closures are made of a low-density polyethylene with no metal retaining ring. Add a high density polyethylene screw cap, and they are completely recyclable.

FS-14



Description

- Fits a standard 2-3/8" (63mm) FLEXSPOUT opening
- Environmentally friendly; 100% recyclable
- Low profile for stacking containers
- Dual tamper-evidence
- Large bail for easy pullup and pour
- Resealable screw cap can be printed with a company or brand identity and anti-counterfeiting.

FS-15



Description

- Includes a self-venting feature to eliminate surging for a smooth pour

IMF-4



Description

Insert Molded FLEXSPOUT

This low-density, 100% recyclable all-plastic spout represents an enhanced closure-and-lid system for open-head pails. Designed with a unique flange geometry, the IMF-4 is produced using an advanced injection molding technology that literally makes it part of the container lid.

- Low profile for stacking
- Off-center spout provides exceptional draining
- Has highest pressure and drop test rating on the market
- A true dual tamper-evident flexible closure
- Large bail for easy pull up and pour
- No contamination during installation
- Resealable screw cap can be decorated
- Self Venting

Rieke Closures for Metal and Plastic Containers

Intermediate FLEXSPOUT Closures

Specially designed to be used with both metal and plastic containers, intermediate FLEXSPOUT closures satisfy UN Packaging Standards.

FLEXSPOUT III

The TFS-1 for metal containers and the TFS-1P for plastic containers are both made of a virgin polyethylene and offer many of the same features as the standard FLEXSPOUT closure, including a tear-out tamper-evident diaphragm.

FLEXSPOUT III UNOPENED



FLEXSPOUT III OPEN -TFS-1P FOR PLASTIC CONTAINERS



Description

- Large 1-15/16" (49mm) fill opening and 7/8" (22mm) pouring orifice for quick filling and dispensing
- Double-bail cap opens with ease
- Clear, colourless
- Tinted green

TFS-1 FOR STEEL CONTAINERS

Description

- Tinted green

Poly-Reseal Closures

Originally, these closures were a product response to a specific need in the paint industry. The fact they can be conveniently removed and resealed simplified the task of adding colorant to a paint can. Each affixes to a standard 1-15/16" (49mm) fill opening.

TFS-2P FOR PLASTIC CONTAINERS



Description

- Clear; colorless

TFS-2 FOR STEEL CONTAINERS

Description

- Tinted green

Junior FLEXSPOUT Closures

This "junior" model meets USDA requirements for small containers. When closed, the low profile design keeps the container more compact, which facilitates stacking. It also reduces shipping costs because it minimizes the amount of carton space needed to box the containers.

JFS-1 UNOPENED



JFS-1 OPEN



Description

- 1-3/8" (35mm) fill opening and 19/32"
- (15mm) pouring orifice
- Double-bail cap opens with ease
- Cutout diaphragm for tamper-evidence

Rieke Closures for Metal and Plastic Containers

Specialty Closures

POLYGRIP® Closures and Vents

Rieke Packaging Systems 3/4" (20mm) POLYGRIP closure is a tamper-evident, resealable closure which allows dispensing through a 3/4" FLO-RITE faucet or with a dispensing system requiring a 3/4" fitting. This closure features a knock-out diaphragm that can be resealed, upon removal of the diaphragm, with a 3/4" POLY-VERSEGRIP® plug (see Rieke Drum Closure catalog).

PFA-22



Description

- Affixes to a standard 2-3/8" (63mm) fill opening
- Can be applied with standard crimping equipment
- Meets UN Packaging standards for metal and plastic containers

PFA-32



Description

- Same as the PFA-22 but without a plug

PFA-32



Description

- A FLO-RITE faucet (see Rieke/Englass Dispensers catalog) Note: Flo-Rite Faucet not included

PV-20-52 VENT



Description

- Optional added component vents to allow for easy dispensing without surging. Attached is a snap cap for resealing.

FLEXPOUT SHIPPING CAP FS-20



Description

- Metal shipping cap/dust cover for metal containers.

Note: All models incorporate a chemically resistant polypropylene and/or polyethylene material unless otherwise indicated.

Rieke Closures for Metal and Plastic Containers

70mm Plastic Screw Caps

While each model in the 70mm line assures a tight seal, they all allow easy access into the container for filling and dispensing. Each adapts to a 2-3/4" (70mm) buttress thread. Note: For the easiest application and removal of these caps, the W-397 wrench is recommended.)

Note: NPS= 8 Threads per inch, Buttress= 6 Threads per inch

FS-60 UNOPENED



Description

- Features a tamper-evident tear-out diaphragm

Thread

NPS

FS-60 OPEN

- Incorporates a FLEXSPOUT (with resealable 38mm cap) for dispensing

Thread

NPS - 8TPI

FS-70



Description

- Features 3/4" (20mm) threaded opening for use with a FLO-RITE faucet (see Rieke/Englass Dispensers catalog)

Thread

NPS - 8TPI

Also available:

FS-70T

Description

- Features 3/4" (20mm) threaded opening for use with tamper-evident features and anti-backoff features added

Thread

NPS - 8TPI

FS-80



Description

- Solid cap design can be printed with a company or brand identity

Thread

NPS - 8TPI

FS-80T



Description

- Same as FS-80 with tamper-evident and anti-backoff features added

Thread

NPS - 8TPI

SC-76R



Description

- Features 3/4" (20mm) threaded opening for use with a FLO-RITE faucet (see Rieke/Englass Dispensers catalog)

Thread

Buttress- 6TPI

SC-76RTE



Description

- Same as SC-86 with tamper-evident and anti-backoff features added

Thread

Buttress - 6TPI

SC-86



Description

- Solid cap design can be printed with a company or brand identity

Thread

Buttress- 6TPI

SC-86TE



Description

- Same as SC-80 with tamper-evident and anti-backoff features added

Thread

Buttress- 6TPI

Rieke Closures for Metal and Plastic Containers

63mm Plastic Screw Caps

Just about any 2.5-gallon plastic bottle or 5-gallon plastic container can be fitted with a Rieke Packaging Systems 63mm screw cap because each cap features a standard 63mm thread size for versatility. Made of a high-density polyethylene or polypropylene-co-polymer material, the 63mm line consistently meets sealing and drop test requirements.

Note: Standard color of 63mm caps is white, custom colors and printed graphics can be special ordered.

FS-631



Description

Standard screw cap with linerless sealing feature

FS-632



Description

Standard screw cap with tamper-evident pressure sensitive or induction liner, or standard foam liner

FS-633



Description

With an outer push tab that interacts with the bottle finish for added safety, it passes the child-resistance and senior-friendly Consumer Product Safety Commission Protocol

SC-63TE



Description

Standard screw cap with tamper-evident anti-backoff features Pressure sensitive, induction or standard foam liner

Note: For the easiest application of the FS- FS-632, FS-633 and SC-63TE, the W-400-2 plastic wrench (page 17) is recommended.

FS-641



Description

Special light-weight screw cap

SC-63R



Description

Has a 3/4" (20mm) threaded opening for use with the FLO-RITE faucet (see Rieke/Englass catalog).

Note: For the easiest application of the SC63R, the W-400-5 plastic wrench (page 17) is recommended.

Note: All models incorporate a chemically resistant polypropylene and/or polyethylene material unless otherwise indicated.

Stolz Closures for Metal and Plastic Containers

Stolz Closures for Metal Containers

Specially designed for tin-plate containers in a broad range of sizes (from 250ml/0.066 gal to 19 liter/5 gal), these Stolz closures offer a highly effective plastic-to-metal seal. Models are available to fit openings of 24, 32, 42, 57 and 100mm.

STANDARD FEATURES INCLUDE:

- Easy application—no need for soldering/presses into standard opening.
- Child-resistant, senior-friendly design.
- A built-in tamper-evident tear-out diaphragm.
- An interior design that allows for a complete drain of the container when pouring.

Note: Standard colors are red, white and black.

Closures for 24mm Openings

B24/2 REL CR 2N CR1



Description

- For REL opening
- For small containers with a 24mm opening.
- Child-resistant double push tab.

Cap

HDPE

Body

LDPE



B24/2 AF A

Description

- For DIN opening.
- Screw cap closure for small metal containers with 24mm DIN opening



B24/2 CR 2N CR1

Description

- For DIN opening
- Model with a child-resistant feature

Closures for 1" Aerosol Openings



B32/2 DD A

Description

- Screw cap closure for metal containers with a 1" opening (Aerosol closure)

Closures for 32mm Openings

B32 REL CR CR



Description

- For REL opening
- For intermediate size containers with a 32mm opening
- Child-resistant single push tab

Cap

HDPE

Body

LDPE

B32 REL A



Description

- Same as B32 REL CR CR closure without child-resistant feature

HZ 32 CRV REL



Description

- For REL opening
- For intermediate size containers with a 32mm opening
- Child-resistant single push tab
- Additional venting feature

B32 FA A



Description

- Screw cap closure for metal containers with a 32mm DIN opening

B32 CR CR



Description

- For DIN opening
- Model with a child-resistant feature

B303 REL A



Description

- For REL opening
- All plastic directional pour spout closure with extended pouring feature, built in tamper evident.

Closures for 42mm Openings

B42/1 REL CR CR



Description

- For REL opening
- For intermediate size containers with a 42mm opening.
- Large 1-3/8" (35mm) pouring orifice ideal for more viscous contents.
- Child-resistant single push tab

Cap

HDPE

Body

LDPE

B42/1 CR CR



Description

- For DIN opening
- Model with a child-resistant feature

B42/1 AFZ A



Description

- For DIN opening
- Model without a child-resistant feature

B42 HP/1



Description

- For DIN opening
- High neck screw cap with side lugs to facilitate opening.
- Ideal for adhesives and viscous products.
- Internal thread for brush attachment.
- Standard brush lengths: 100mm and 140mm.

B403 REL Z



Description

- For intermediate size containers with a 42mm REL opening.
- Large 1-3/8" (35mm) pouring orifice ideal for more viscous contents.

Cap

HDPE

Body

LDPE

B403 REL CR CR



Description

- For intermediate size containers with a 42mm REL opening.
- Large 1-3/8" (35mm) pouring orifice ideal for more viscous contents.
- Child-resistant double push tab

Cap

HDPE

Body

LDPE

B402 AFZ CR CR



Description

- Model with a child-resistant feature.
- Low profile closure for containers with a 42mm DIN opening.
- Base channels for improved drainage, cylindrical base for ease of handling.

B402/2 AFZ C



Description

- Model without a child-resistant feature.
- Low profile closure for containers with a 42mm DIN opening.
- Base channels for improved drainage, cylindrical base for ease of handling.

B402/2 C



Description

- All plastic directional pour spout closure for 42mm DIN openings, double bail cap is easy to open.
- Built-in tamper-evident tear out diaphragm. Flush mounting for stacking

Cap

HDPE

Body

EVA

B420 A



Description

- Shipping cap for 42mm DIN opening

Note: All models incorporate a chemically resistant polypropylene and/or polyethylene material unless otherwise indicated.

Closures for 57mm Openings

B60 CR 2N CR1



Description

- For DIN opening
- Screw fittings with conical base shoulder for large containers.
- Child-resistant double push tab.
- Built-in tamper-evident pullout diaphragm

Cap

HDPE

Body

LDPE

B60 A



Description

- For DIN opening
- Screw fittings with conical base shoulder for large containers.

Cap

HDPE

Body

LDPE

B60 D A



Description

- Screw fittings for 57mm D opening on large containers.
- Screw cap provides complete coverage of the closure.
- Available unvented nozzle allows for rapid pouring of highly viscous fluids.

B60 D ST A



Description

- Screw fittings for 57mm D opening on large containers.
- Screw cap provides complete coverage of the closure.
- Additional large diameter rigid pullout spout for ease of pouring.
- Available unvented nozzle allows for rapid pouring of highly viscous fluids.

B650 A



Description

- Shipping cap for 57mm DIN opening

B655 A



Description

- Reusable cap for 57mm DIN opening and two component products

B 601 Z1



Description

- All plastic directional pour spout closure for 57mm DIN opening
- Double-bail cap is easy to open
- Built-in tamper-evident tear-out diaphragm Flush mounting for stacking

Cap

HDPE

Body

LDPE

B601 AG/1 Z1



Description

- Features anti-glug pouring aid for 57mm DIN opening

B601 D AG Z1



Description

- Screw fittings for 57mm D opening on large containers.
- Features anti-glug pouring aid

B602/1 D A



Description

- Spout for large containers
- Easy to open & reseal
- Highly chemical resistant
- For 57mm D opening

Closures for 100mm Openings

B100 D A



Description

- Closure for D opening for large containers.
- Best suited for UN approval.
- Built-in tamper-evident tear-out diaphragm

Stolz Closures for Plastic Containers

Specially designed for plastic containers in a broad range of sizes (designed for bottles from 0.5 liter/0.13 gal to 10 liter/2.7 gal), these Stolz closures offer a highly effective plastic-to-plastic seal.

STANDARD FEATURES INCLUDE:

- Screw caps and gear-oil spouts have a tamper-evident ring.
- Design of flexible spouts prevents surging of fluid when pouring.

Note: Standard colors are red, white and black.

Screw caps and retractable spouts

K362/1 SK PE A



Description

- Screw caps for plastic canisters and bottles of varying sizes.
- Can be resealed with inserted polyethylene liners.
- Suitable for high speed capping.
- Also available with ALU ID (Aluminium induction seal) liner.

K368/1 PE 400 Z



Description

- Pull-out spout with tamper-evident feature for the K36/1 and K362/1 PE bottle neck.
- Retractable and tight reclosable. Allows for accurate pouring in hard-to-reach filling areas.

K36/1 SK PE A



Description

- Screw caps for plastic canisters and bottles of varying sizes. Can be resealed with inserted polyethylene liners.
- Suitable for high speed capping
- Also available with ALU ID (Aluminium induction seal) liner

K375 SK PE



Description

- Large screw caps with a distinctive look
- Can be resealed with inserted polyethylene liners
- Also available with ALU ID (Aluminium induction seal) liner

K36/1 SK PE CR



Description

- Screw caps for plastic canisters and bottles of varying sizes.
- Can be resealed with inserted polyethylene liners.
- Child resistant feature.
- Suitable for high speed capping

K274 B



Description

- Pour spout for plastic bottles with no tamper-evident feature
- Flexible extension tube

Flexible Spouts

K456 R AG Z



Description

- For plastic containers
- Foldable, low profile pouring spout allows stacking.
- Includes tamper-evident and anti-glug feature

K500/3 AG A



Description

- For plastic canisters
- Low profile screw cap with integrated foldable pouring spout
- Features a unique seal lock that "locks" the screw cap down on the canister
- Features anti-glug pouring aid

K601 D/2 Z1



Description

- For stackable plastic containers
- Low profile foldable pouring spout

Rieke/Stolz Vented Pail Closures

Micro-Porous Vents

Many of Rieke Packaging Systems plastic pail closures can be equipped with a Micro-Porous Gauze Vent that allows two-way venting for either pressure or vacuum relief.

FS-10-6-300-TFE TOP



Description

When using these vents:

- Be sure to allow for adequate head space (outage) in the container. Failure to do so can plug the vent or cause leakage
- The container should be transported and stored in an upright position

A micro-porous vent can be incorporated into any of the following plastic pail closures (including that which is shown):

FS-10-6, FS-10-8V, (300 and 600 series), FS-14, FS-15, FS-60, FS-70, FS-80, FS-80T, FS-632, SC63R, TFS-1, TFS-1P

Note: Add the "TFE" suffix to the part number when specifying a micro-porous vent.

Reversible Vents

Chemical manufacturers appreciate the design capabilities of Rieke Packaging Systems reversible vents. Formulated with two special synthetic materials (Buna and EPDM), these vents meet compatibility requirements while accommodating pressure and/or vacuum relief.

FS-10-6-300-PV-21P



Description

A reversible vent can be incorporated into any of the following plastic pail closures (including that which is shown):

FS-10-8V-300, FS-14, FS-15, FS-60, FS-70, FS-80, FS-80T

Note: Add the "PV-21P" (pressure) or "PV-21V" (vacuum) suffix to the part number when specifying a reversible vent - available in Buna or EPDM

Stolz Vented Pail Closures

K20-52 PV A



Description

Pressure/vacuum relief closures for plastic pails

K25 SK PE A



Description

Pressure/vacuum relief closures for plastic canisters.

Stolz Plastic Seals

K46 SI B A



K48 SI A



Tools

Manual Tools and Wrenches

To help you maximize the reliability of your Rieke and Stolz pail and can closures, these manual tools are designed to simplify application procedures.

Manual Crimping Tool

FS-600



Description

- For application of all standard and self-venting FLEXSPOUT closures, and PFA-22 and PFA-32 POLYGRIP closures
- Seals on plastic and all gauges of steel
- Affixes closure to pail or can in one easy stroke

Wrench Heads

W-394



Description

- 1/2" (13mm) drive for 70mm screw caps

Also available:

W-400

Description

- 3/8" (9.5mm) drive for 63mm screw caps

Manual Wrenches

W-397



Description

- For applying and removing FS-60, FS-70, FS-80 and FS-80T screw caps

Also available:

W-400-2

Plastic wrench for 63mm caps

W-400-5

Plastic wrench for the SC63R screw cap

Power Crimping Tools

Well-built and consistent, these power crimping tools are the key to a highly efficient pail closure insertion operation.

Airmatic

This air-operated power tool can be suspended by counterbalance to accommodate closure insertion on moving filling lines

IA-FS-600 OVERHEAD



Description

- For use with all standard and self-venting FLEXSPOUT closures, FS-41 poly flexcap, and PFA-22 and PFA-32 POLYGRIP closures

Also available:

IA-FS-600-A

Description

- Same as 600 model but with dual palm buttons for added safety

IA-FS-700-2

Description

- For use with all-plastic FLEXSPOUT closures.

Insertion Tools for FLEXSPOUT Jr., FLEXSPOUT III and Stolz Closures

Simple to use, and yet reliably consistent, these manually operated insertion tools affix intermediate and junior size FLEXSPOUT closures in three basic steps:

STANDARD FEATURES INCLUDE:

- Properly position the container using the guides on the foot of the tool.
- Set the closure on the embossed opening.
- Bring down the handle.

M-445-H-1

Description

- For FLEXSPOUT III (TFS-1 and TFS-1P)

M-445-H

Description

- For FLEXSPOUT Jr. (JFS-1)

AIR-POWER-OPERATED

Description

Requires 80 psi air pressure.

- Properly position the container using the guides on the foot of the tool
- Set the closure on the embossed opening
- Press the palm button

M-445-A

Description

For FLEXSPOUT Jr.

M-445-1-1

Description

For FLEXSPOUT III (TFS-1 and TFS-1P)

Note: For proper insertion on metal containers, FLEXSPOUT Jr. and FLEXSPOUT III closures should be preheated to a temperature between 100°F and 120°F before insertion. Heating units are available upon request.



Insertion Tools for Stolz Closures

A2237-A

Description

Rieke/Stolz Inserter

M0445-A2

Description

Airmatic Tool

M0445-H2

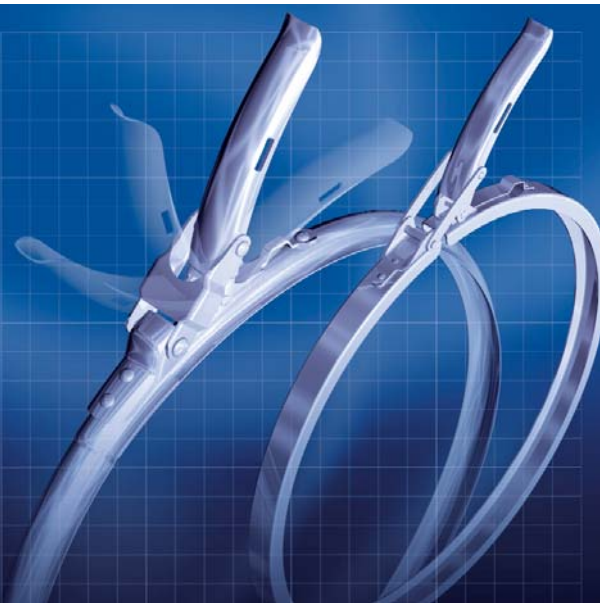
Description

Hand Insertion Tool

LEVER-LOC™ Lever Rings for Industrial Open Head Containers

The LEVER-LOC Closure System

As steadfast as it is easy to use, LEVER-LOC is becoming the ring closure of choice for companies that package in open-head containers. Successful in the most trying hydrostatic and drop tests, LEVER-LOC consistently meets UN and DOT Packaging Standards for regulated materials.



Custom sizing and profiling capabilities produce a LEVER-LOC ring that precisely fits any given container, from one gallon size up through IBC tanks.



When closed, **the ring overlaps**—eliminating gaps—to ensure its sealing power completely encircles the lid.

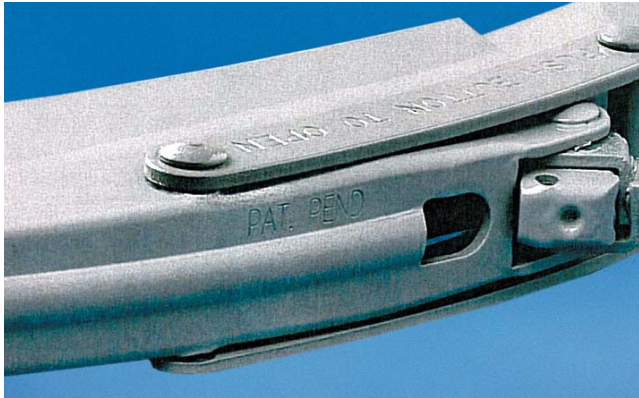
For exceptional strength, each ring is the product of **welded steel construction**, and can be galvanized or coated with epoxy powder.



The unique lever design is as dependable as a bolt ring, and yet much easier to apply and remove over and over again.

Introducing AutoGrip® Lever Rings

AUTOMATIC LOCKING IN AN EASY-TO-USE RING CLOSURE



Description

Rieke's commitment to adding value for its customers led to the development of the patent-pending AutoGrip Lever Ring. Built-in features eliminate many steps involved in drum sealing, without compromising the seal. The Autogrip automatically locks when closed and has no need for an extra safety latch.

LEVER-LOC Lever Models

The lever model you choose will depend on two primary application factors:

- ▶ Packaged Contents—Just as the contents will determine how robust the container needs to be, they will also determine the necessary gauge or performance strength of the lever. Regulated materials requiring a more reliable drum will likewise require a more reliable lever of a higher gauge and steel thickness.
- ▶ Dimensions of Container—Larger levers are designed for larger container diameters in order to apply the required pressure when closed. Other specifications, such as the radius and throw of the lever handle, vary with openings and lids to maintain the ease of applying and removing the ring.

Note:

The current selection of lever models is extensive and diverse due largely to the fact Rieke Packaging Systems will often alter the design of an existing model to serve a unique customer need. Please review the following pages to find the base models appropriate for the size of your container. Then call us at 260-925-3700 to discuss other design features important for your application.



Standard Lever Models for Pails and Cans

Easy to use, yet virtually unbreakable in performance tests, each LEVER-LOC lever features:

NOTE:

- International design for a worldwide market
- All stamp steel construction—no wires
- Solid—not hollow—rivets
- A design intended for welding onto the ring
- A low profile that makes it easier to palletize and store drums close together

T38



Description

- For 5-gallon (19 litre) containers

T10 THRU T30L



Description

- For small containers

Seals

Every LEVER-LOC lever is designed with a slot that allows for the insertion of a tamper-evident seal tab.



STEEL SEALS



Description

- Made of a galvanized steel

T42



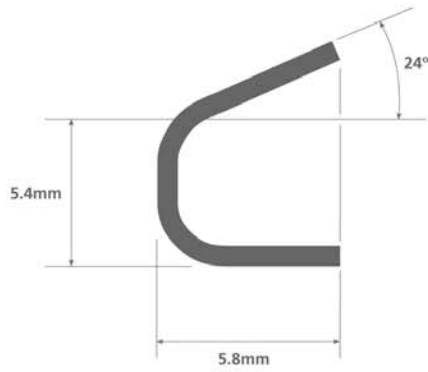
Plastic Seals

- Offer a more economical but equally effective solution when compared to steel seals.
- Not reusable—plastic is broken when container is opened.

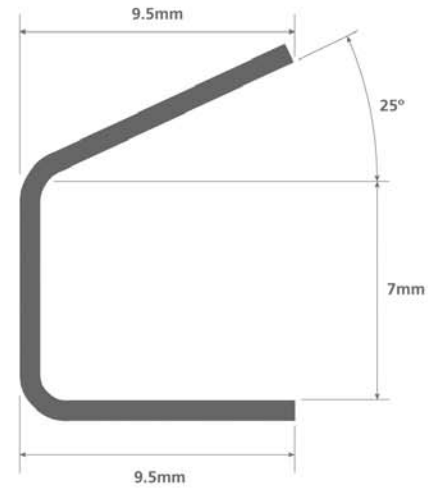
Profiles

Below are diagrams of some of the industry's most common locking ring profiles for open head containers. If your container rim does not match one of these, Rieke Packaging Systems will custom fit a LEVER-LOC ring that does.

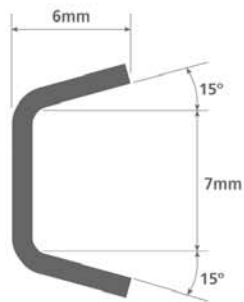
Light Type



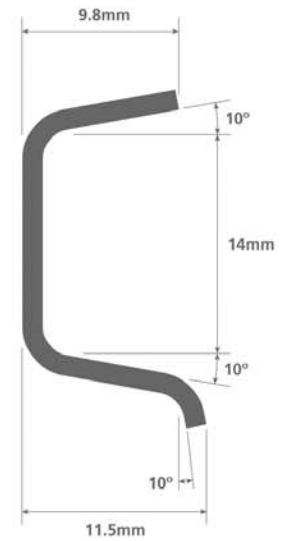
Medium Type



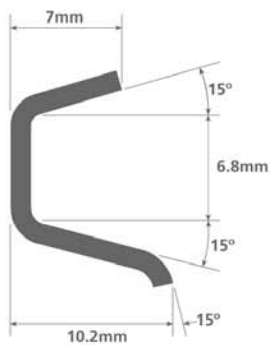
Light Type



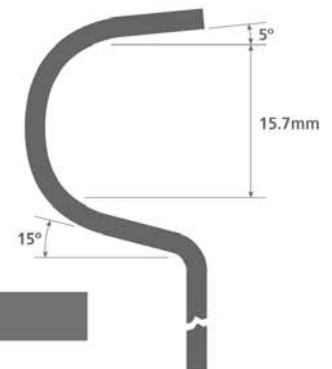
Medium Type



Light Type



Heavy Type



Rieke

Rieke® - North America

Rieke Corporation
500 West Seventh Street
Auburn, Indiana 46706
Phone No. +1 (260) 925-3700
Fax No. +1 (260) 925-2493
E-mail sales@riekecorp.com

Rieke Dispensing
500 West Seventh Street
Auburn, Indiana 46706
Phone No. +1 (260) 925-3700
Fax No. +1 (260) 925-4654
E-mail sales@riekecorp.com

Rieke® - Australia

Rieke Packaging Systems Australia
P.O. Box 4
Main Street Post Office
Healesville, Victoria
3777 Australia
Phone No. +61 35962-6340
Fax No. +61 35962-6345
E-mail rieke@bigpond.com

Rieke® - Singapore

Rieke Corporation (S) Pte Ltd
No. 16 Ayer Rajah Crescent
#04-02 Tempco Technominium
Singapore 139965
Phone No. +65 6872-5480
Fax No. +65 6872-5481
E-mail riekessin@starhub.net.sg

Rieke® - England

Englass
44 Scudamore Road
Leicester LE3 1UG
England
Phone No. +44 (0) 116 233 1100
Fax No. +44 (0) 116 231 2077
E-mail sales@englass.co.uk

Rieke® - Germany

Rieke Germany GmbH
In der Au 13
57290 Neunkirchen
Germany
Phone No. +49 (0) 2735-761-0
Fax No. +49 (0) 2735-76123
E-mail info@riekegermany.de

Rieke® - Mexico

Rieke de Mexico
Saturno 22
Nueva Industrial Vallejo
07700-Mexico, D.F.
Phone No. +52 (55) 5586 1200
Fax No. +52 (55) 5754 7944
E-mail ventas@rieke.com.mx

Rieke® - France

TOP Emballage
B.P.1
Z.I. Les Bruyères
4 avenue Le Verrier
78191 TRAPPES Cédex France
Phone No. +33 1 30 13 93 00
Fax No. +33 1 30 66 09 10
E-mail commercialteam@topemballage.fr

Rieke® - Italy

Rieke Italia S.r.L.
Via Lecco, 11
23868 Valmadrera (LC) Italy
Phone No. +39 0341 205411
Fax No. +39 0341 581544
E-mail info@riekeitalia.com